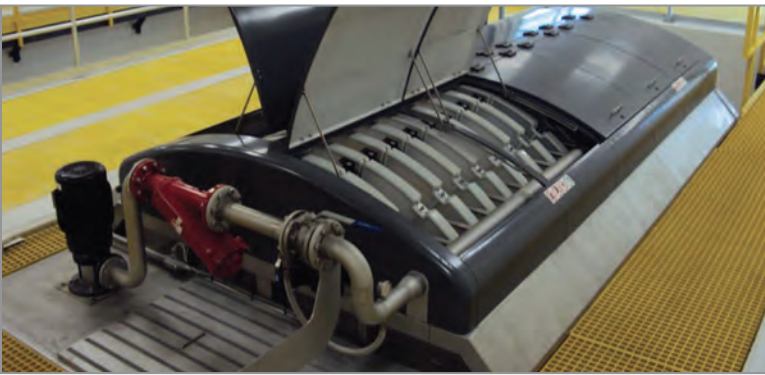


# SuperDisc™



**WESTECH®**

# SuperDisc™



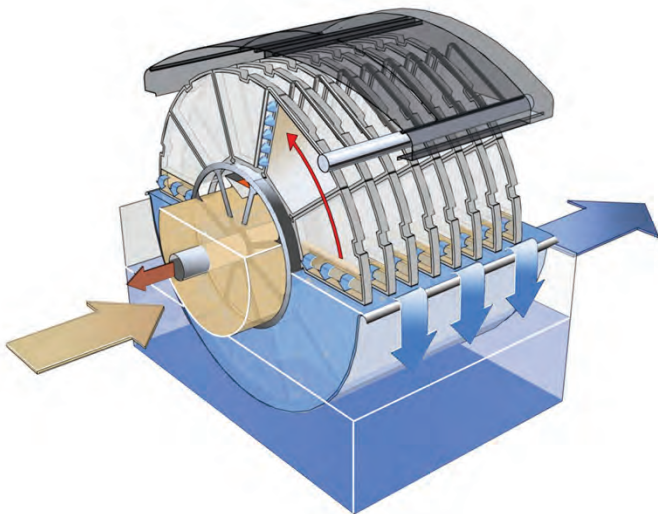
From raw water screening to wastewater polishing, the SuperDisc™ filter delivers superior filtration performance for water, wastewater, and water reuse applications.

## Intelligent Design

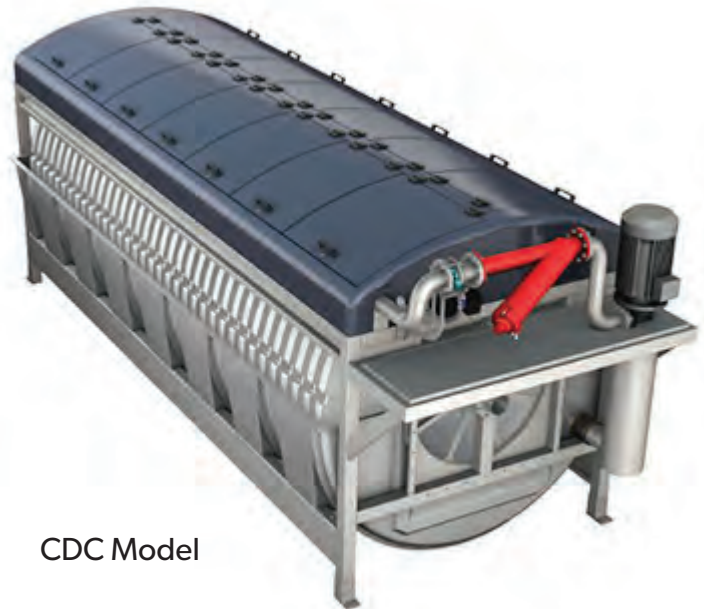
Consisting of multiple rotating filter discs, the SuperDisc™ filter features a well-proven system that uses fine-woven filter media. This sophisticated design produces a highly effective filtration process that can achieve high filtration efficiencies.

## How it Works

Water to be filtered is guided into the rotor drum and flows by gravity into the filter discs through openings in the drum, and passes through the filter media on the sides of the discs. Suspended solids are separated and accumulated on the inside of the filter disc panels.



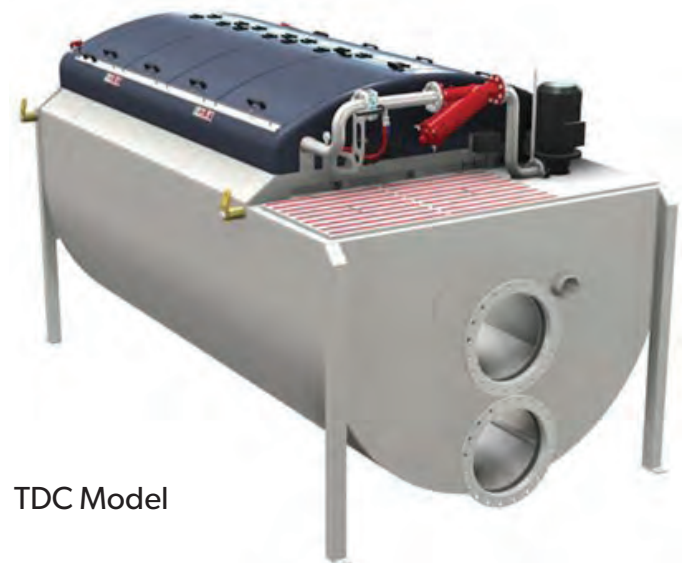
When the water level inside the filter rotor increases to a pre-set point, the filter rotor starts rotating and the backwash of the filter media starts. The high pressure backwash spray removes the accumulated suspended solids into the reject flume inside the filter. The suspended solids are then discharged via the reject pipe. The discs are submerged to approximately 65% and the water level of the filtrate is maintained by an integral outlet weir.



CDC Model

## Two Versions, One Method

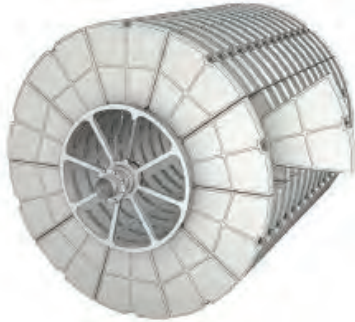
The SuperDisc™ filter is available as a freestanding unit with filter discs contained in a stainless steel tank and a version for installation in a concrete tank. The two versions have the same design regarding drive system, backwash system, outlet weir, disc cassettes, etc. The effective filter area can be up to 1,620.5 ft<sup>2</sup> per filter.



TDC Model

# Superior Performance

Combining intelligent engineering with sophisticated technology, the SuperDisc™ filter offers a distinct advantage when it comes to filtration applications. Our unique design enables professionals in the water treatment industry to get maximum performance and reliability day-in and day-out.



The filter cassettes are easily replaceable with only a minimal amount of downtime.



The oscillating spray bar backwash system and the integrated level tank are some of the specific design details that make the SuperDisc™ a reliable and low-maintenance filtration unit with more operational control.



- 10 - 60 µm Screen Size (larger openings are available)
- Durable Lightweight FRP Frames
- Recyclable EVO Filter Cassettes



The rotation of the filter discs is driven by a long-life synchronous cog belt, which is carbon fiber-reinforced, corrosion resistant, and lubrication and maintenance free.

## SuperDisc Benefits

- **Compact design, small footprint**
- **Quick replacement; fewer parts per disc**
- **The largest amount of filter area with up to 35 discs in one unit**
- **Level tank with long weir minimizes headloss and avoids need for outlet weirs in the civil construction**
- **Nozzles do not clog because backwash water is pulled directly from the filtered water level tank**
- **Fully automated operation**
- **Operates efficiently with 12-18 inches of headloss**

## Filtration Applications

- **Effluent polishing of wastewater**
- **Phosphorus removal**
- **Raw water filtration**
- **Water reuse - Title 22 approved**
- **Process water filtration**
- **Cooling water filtration**

## Streamline Your Operation

WesTech provides start-to-finish system configurations with its line of proprietary products. These proven configurations can meet stringent requirements while increasing water recovery—ideal for municipalities and industrial facilities requiring complete water and wastewater package solutions.



**WESTECH**® Tel: 801.265.1000  
westech-inc.com  
info@westech-inc.com  
Salt Lake City, Utah, USA

© WesTech Engineering, Inc. 2017