

Model KLRC-125

Features

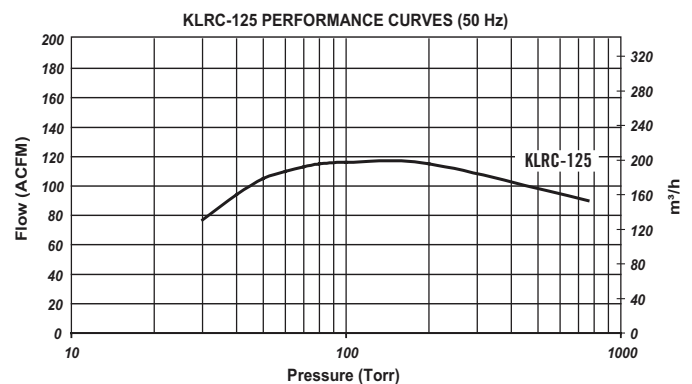
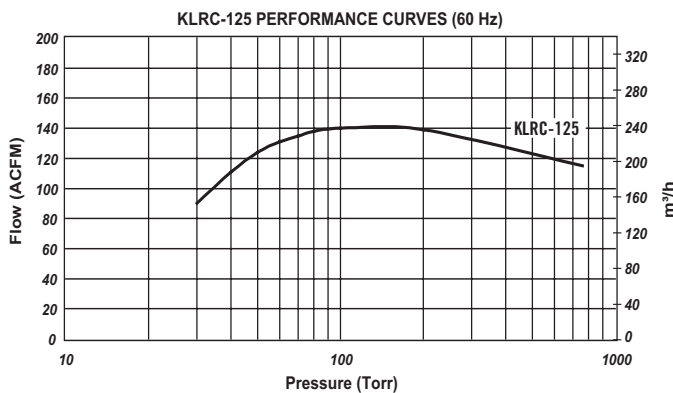
- Impellers positively locked to shaft
- Reliable mechanical seals for high-integrity sealing and low shaft friction
- Center-anchored tie rods allow access to either end of the pump without total disassembly
- Precision casting and CNC machining eliminates the need for body gasketing (process dependent)
- Replaceable end plates
- Clearance adjustments via shims
- Made in the USA



KLRC - 125 Material & Seal Code		
KLRC - 125 XY	X	Material code
	Y	Mechanical seal code
Material Code (X)	F	Cast iron casings, SS316L impellers & SS316 shaft
	C	All wetted parts SS316L & SS316 shaft
Mechanical Seal Code (Y)	A	John Crane Type 21 Carbon/Ceramic/Viton
	D	Flowserve Type RO Carbon/Durchrome/Viton.
	L	PTFE encapsulated Viton O-Rings
Consult factory for alternate seal configurations		

Specifications	KLRC-125	
	60 Hz	50 Hz
Motor Power	10 HP	7.5 KW
Pump Speed	1750 RPM	1450 RPM
Seal Water Flow	7 GPM	
Noise Level	74 dBA @ 60 Torr (3 ft)	
Maximum Allowable Suction Temperature	220° F (Hot Pump)	

Typical Pumping Speed Curves



- 1.) Above performance data based on 68° F inlet air with 50% relative humidity and using water as a sealant at 60° F.
- 2.) All SS pump capacity less 10%

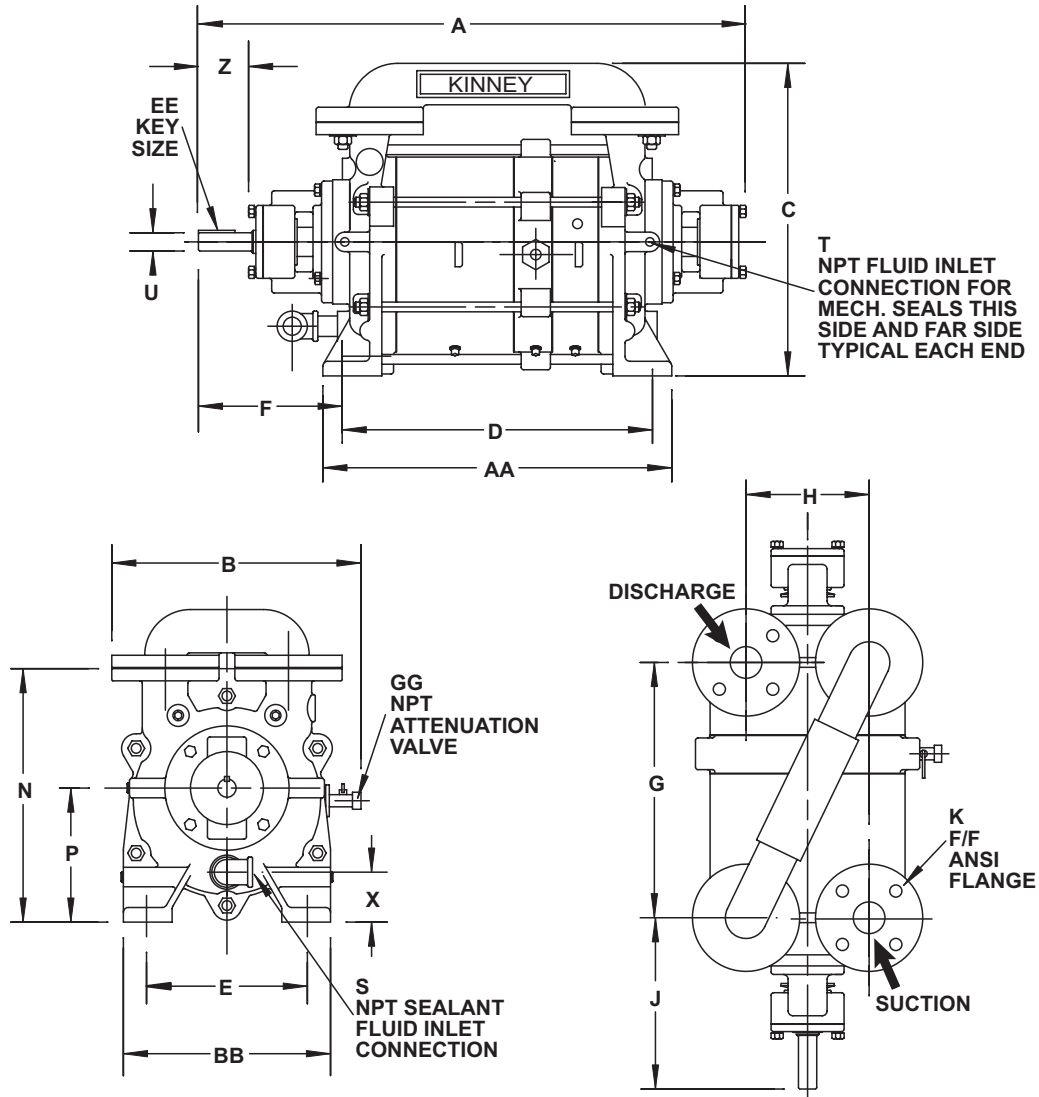
Dimensions

Values shown are approximate and should not be used for construction.
 Certified drawings are available through your local Kinney Professional.

Bare Shaft Pump

Models: KLRC-125

PUMP ROTATION CLOCKWISE
 FACING PUMP SHAFT

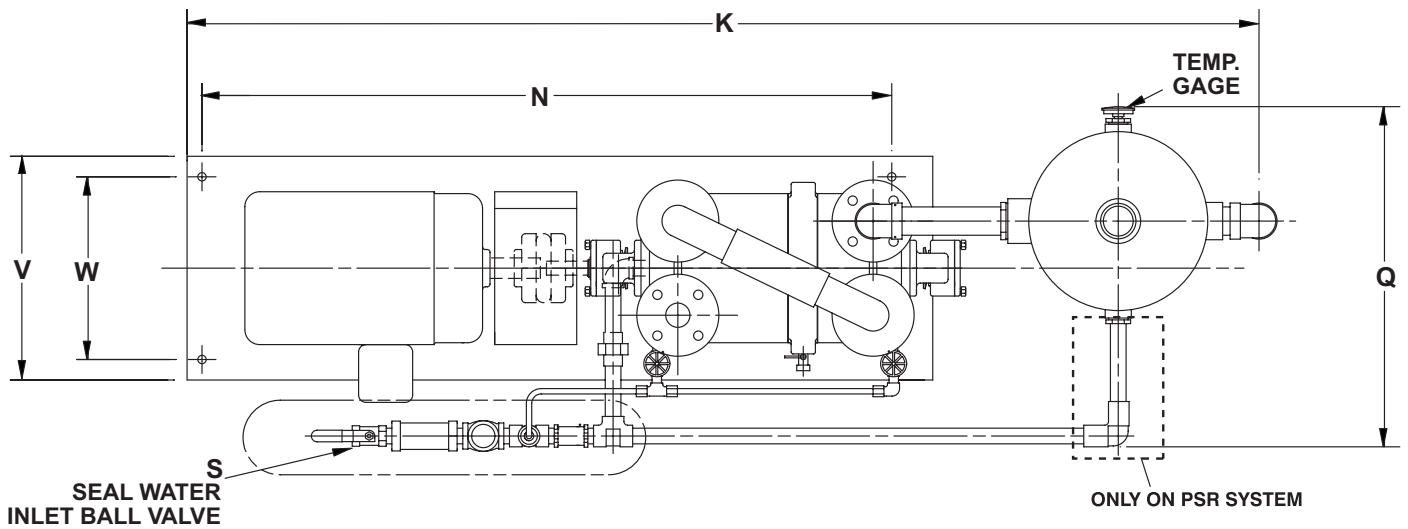
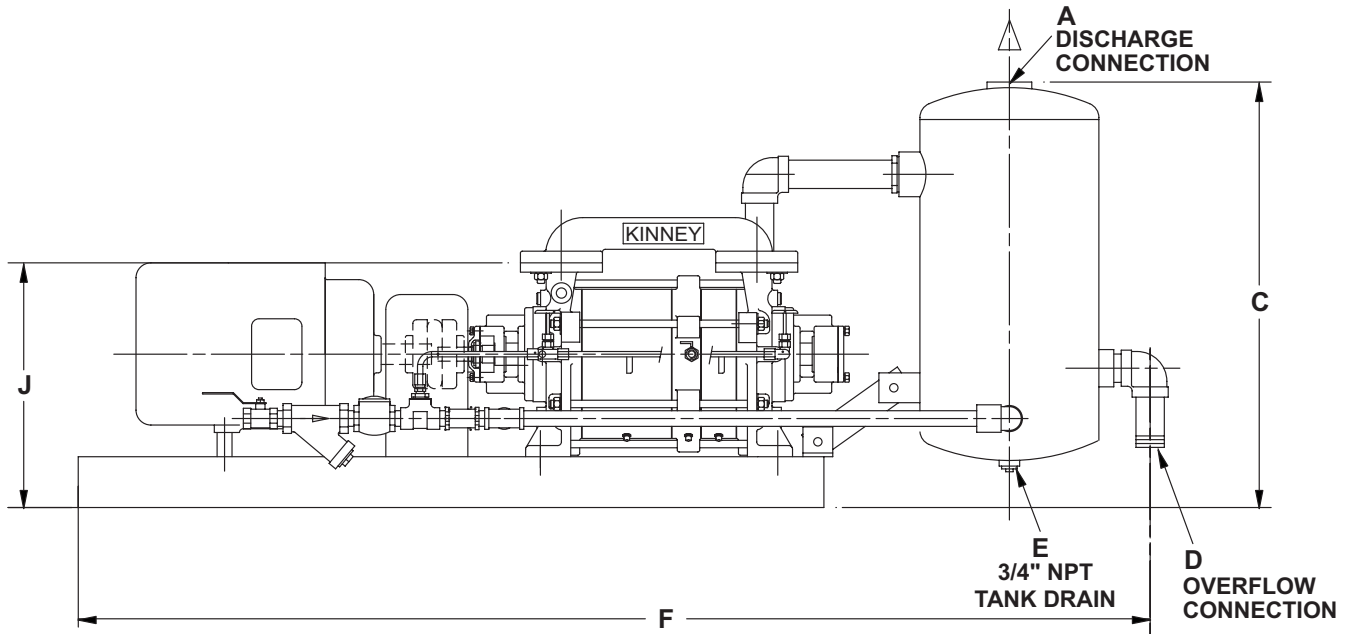


in mm	A	B	C	D	E	F	G	H	J	K	N
KLRC-125	28 1/16 718	12 3/4 324	16 406	15 15/16 404	8 1/4 210	7 178	13 1/8 333	6 5/16 160	8 13/32 214	1 1/2" ANSI	13 330

in mm	P	S	T	U	X	Z	AA	BB	EE	GG	APPROX. WEIGHT LBS / kg
KLRC-125	6 7/8 175	3/4"	1/4 NPTF	15/16"	2 9/16 65	2 1/8 54	17 7/8 454	10 5/8 270		1/4 NPTF	255 / 116

NSR (No Sealant Recovery) & PSR (Partial Sealant Recovery) System

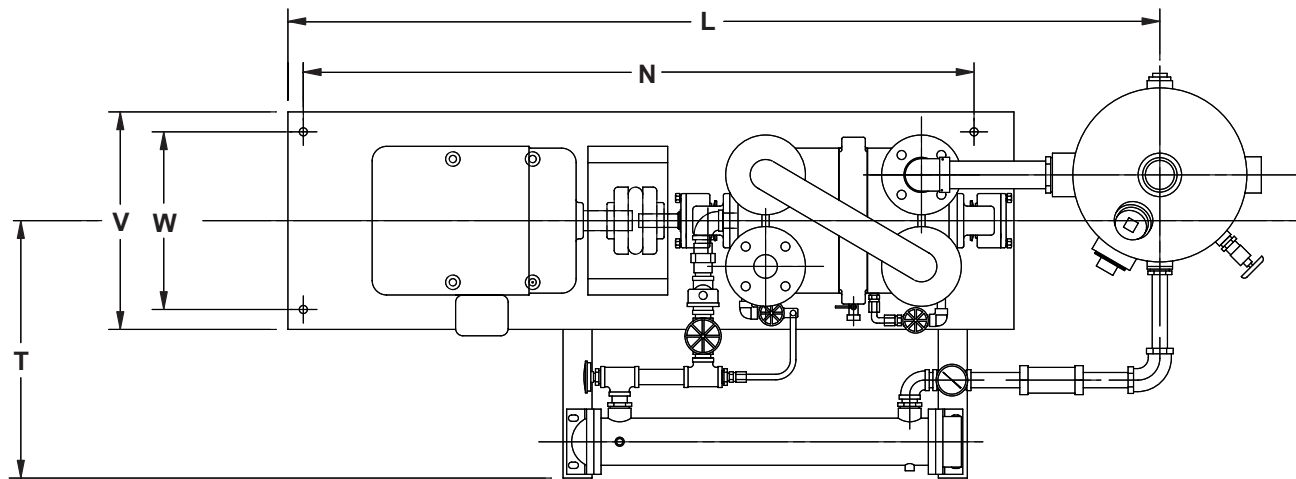
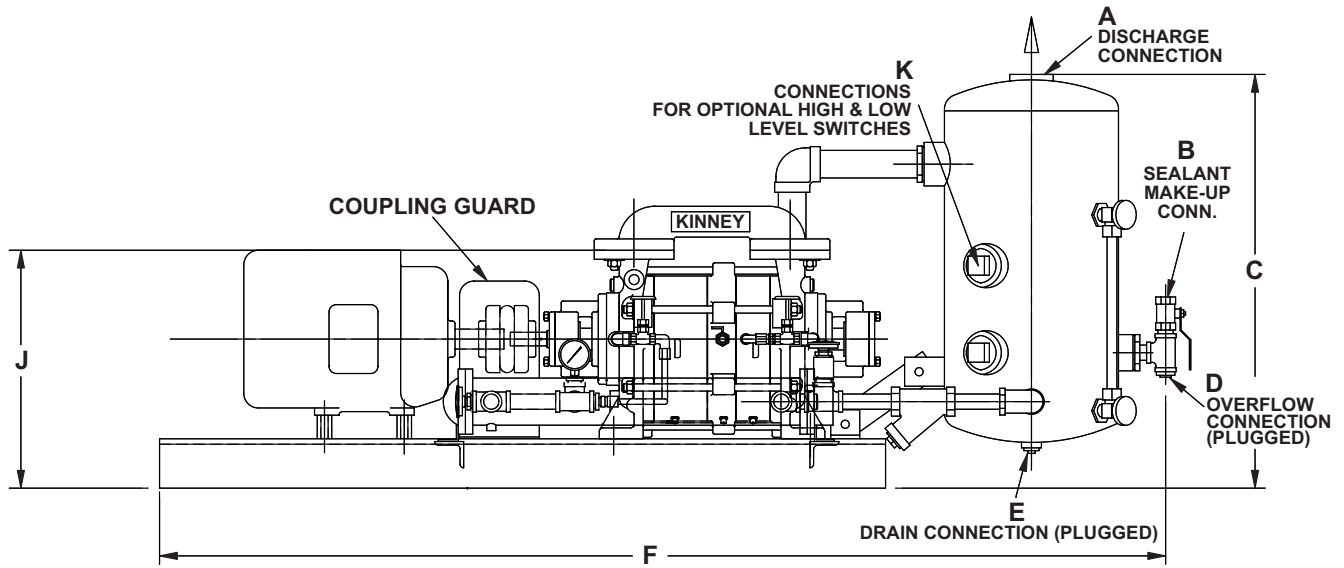
Models: KLRC-125



in mm	A	C	D	E	F	J	K	N	Q	S	V	W	APPROX. WEIGHT LBS / kg
KLRC-125	2" NPT	28 1/2 724	1 1/2" NPT	3/4" NPT	71 7/8 1826	16 3/8 416	71 7/8 1826	46 1/4 1175	22 3/4 578	3/4" NPT	15 381	12 1/4 451	750 340

FSR (Full Sealant Recovery) System

Models: KLRC-125



in mm	A	B	C	D	E	F	J	K	L	N	T	V	W	APPROX. WEIGHT LBS / kg
KLRC-125	2" NPT	3/4" NPT	28 1/2 724	3/4" NPT	3/4" NPT	71 3/4 1823	16 3/8 416	(2) 2" NPT	62 1/2 1588	46 1/4 1175	17 3/4 451	15 381	12 1/4 311	798 362

CONTACT US

For more information, contact your Regional Sales Manager or call us at:

1-800-825-6937

Your Local Sales Professional: